

HD-CCTV Camera

Rev 2.0



C1080PT-Z20

Outdoor PTZ Dome Camera
Weather-Proof (IP66)
Supports Wall-Mount, Ceiling-Mount



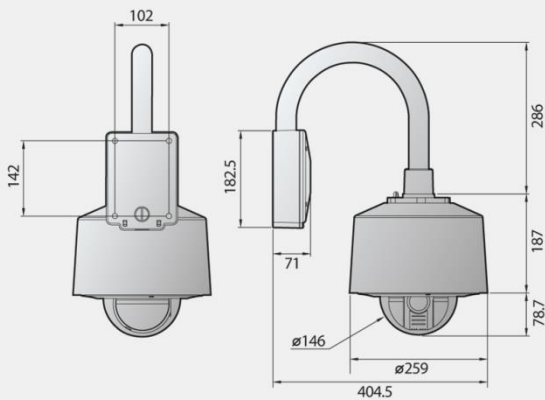
C1080PT-Z20F

Indoor PTZ Dome Camera
Supports Flush-Mount

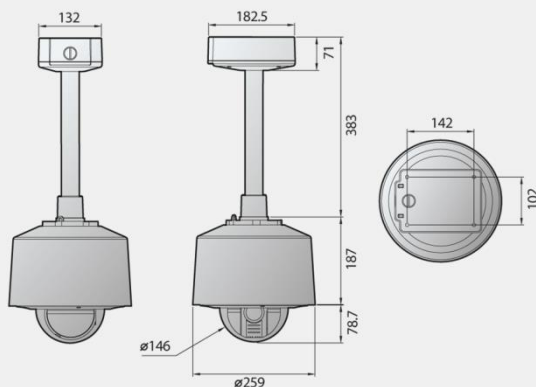
Full-HD PTZ Dome Camera

Dimensions (Unit : mm)

Wall Mount Bracket



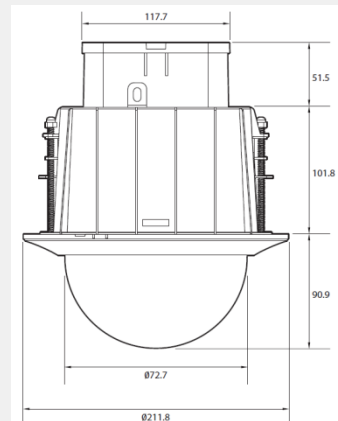
Ceiling Mount Bracket



Key Features

- HD-SDI Speed Dome Camera
- 20x Optical Zoom (4.7~94mm) and 12x Digital Zoom
- 1/2.8, 2Megapixel CMOS progressive image sensor
- HD-SDI 1080p or 720p Video Output
- Automatic Pan/Tilt speed control according to zoom magnification
- Pan Speed : Max. 360°/sec
- Manual Speed : Min. 0.05°/sec
- Endless 360° Pan Rotation
- WDR function
- 3D Noise Reduction
- Privacy zone Masking (Up to 8 Area)
- True Day&Night with IR cut filter removable
- 255 Preset, 4 Patterns, 8 Scans and 8 Group functions
- Power-up Action

Flush Mount



Specification

VIDEO

Camera Models	C1080PT-Z20	C1080PT-Z20F
Sensor Type	1/2.8" 2Megapixel CMOS	
Total Pixels	1920(H) x 1080(V) = 2.1M pixels	
Scanning System	Progressive Scan	
Min Illumination	B/W	0.3Lux@50IRE, F1.6, DSS(OFF), High Sensitivity Mode 0.095Lux@F1.6 50IRE
	Color	1.7Lux@50IRE, F1.6, DSS(OFF), High Sensitivity Mode 0.5Lux@F1.6 50IRE
Lens	Zoom	20x Optical zoom & 12x Digital zoom
	Angle of View	H:55.4°(W) ~ 2.9°(T)
	Focal length	F1.6 ~ 3.5, f=4.7 ~ 94mm
Video Output	CVBS Output	1 (BNC 1.0 Vp-p, 75Ω)
	HD-SDI Resolution	1080p 30/25fps, 720p 60/50fps, 1080i 60/50fps
	HD-SDI Standard	SMPTE 292M compatible
Video Control	Day&Night	Auto, Day, Night (ICR)
	Focus	Auto, Manual
	Exposure Mode	Full Auto, Shutter, Iris, Bright, Manual
	White Balance	Auto WB, Indoor, Outdoor, One-Push WB, Manual WB
	AGC	Auto, Manual (-3~28dB, 16Steps)
	WDR	Auto, Off
	Other functions	Power-up Action & etc.
Pan/Tilt	Range	Pan:360°(Endless), Tilt:180°
	Pan/Tilt Speed	Preset 400°/sec, Manual:0.05°~200°/sec (Zoom proportional), Scan:1°~180°/sec
	Preset	255 presets with labels/ Independent camera setup
	Pattern	4 Patterns(Approx. 5 Minutes for each pattern)
	Scan	8 Scans
	Group	8 Groups (max. 20 functions for each group)
	Other functions	Power-up Action & etc.

CONTROL INTERFACE

Communication	RS-485
RS-485 Protocol	Auto(Pelco-D, Pelco-P, Samsung-E can be supported automatically)

ELECTRICITY

Power Consumption	AC 24V, Max. 55W (Heater 30W)	DC12V, Max. 20W
--------------------------	-------------------------------	-----------------

MECHANICAL

Dimension	Dome(ø) : 146mm, Housing(øxH) : 259x266mm	Dome(ø) : 146mm, Net (øxH): 211.8x244.2mm
Weight	Net : 6Kg, Package : 10.9Kg	Net: 1.75Kg, Package: 2.4Kg

ENVIRONMENTS

Operation Temp.	-40 °C ~ 50 °C / 10%RH ~ 80%RH	-10 °C ~ 50 °C / 10%RH ~ 80%RH
------------------------	--------------------------------	--------------------------------

CERTIFICATIONS

Certifications	FCC, CE, IP66
-----------------------	---------------