

SSC-G213/G213A

Analog Color Fixed Cameras

SONY
make.believe

650 TV Line Security Camera with High Sensitivity

- Horizontal resolution of 650 TV lines
- High sensitivity
Color: 0.15 lx (F1.2, 50 IRE, AGC ON)
B/W: 0.01 lx (F1.2, 50 IRE, AGC ON)
- CS mount lens*
- Compact design

* A lens is an optional.



KEY FEATURES

- High resolution (650 horizontal TV lines) and high sensitivity (Color : 0.15 lx / B/W : 0.01 lx, F1.2, 50 IRE) achieved by an 1/3-type "EXview HAD CCD II" sensor and Sony's new digital signal processor, "Effio-E."

EXview HAD CCD II™

- Optical Day / Night function to switch to Day or Night mode depending on the light level.
- Low power consumption: 1.6 W (Max.).
- Dip SW Control for easy mode setting.
- ATR-Lite (Adaptive Tone Reproduction Lite) to compensate for gradation of subjects to an optimum level.
- iBLC to compensate for exposure levels in dark scenes to improve subject visibility.
- ATW (Automatic Tracing White) balance which automatically adjusts the camera's white balance to adapt to sudden changes in lighting conditions.
- Internal lock, and line lock selectable.
- 2D noise reduction employed.
- AC 24 V / DC 12 V operation ($\pm 10\%$).

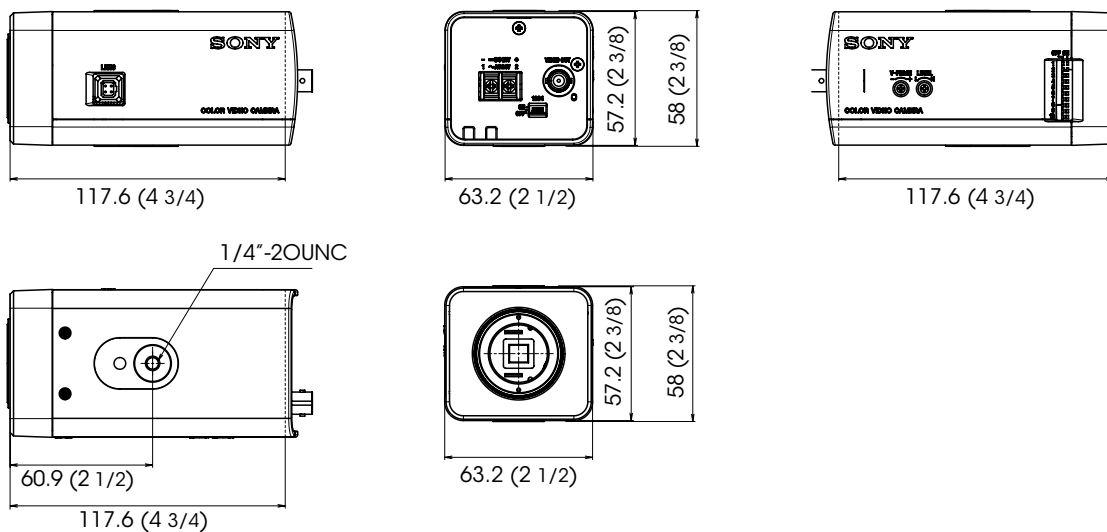
SPECIFICATIONS

	SSC-G213	SSC-G213A
Camera		
Image device	1/3-type "EXview HAD CCD II"	
Number of effective pixels (H x V)	570,000 pixels (976 x 582)	480,000 pixels (976 x 494)
Signal system	PAL standard	NTSC standard
Horizontal resolution	650 TV lines	
S/N ratio	More than 55 dB (AGC Off)	
Minimum illumination	Color: 0.15 lx, B/W: 0.01 lx (F1.2, 50 IRE) Color: 0.08 lx, B/W: 0.003 lx (F1.2, 30 IRE)	
Video output	VBS:1.0Vp-p	
Synchronization	Internal/AC line lock selectable	
Gain control	Auto (on/off)	
White balance	ATW (2000K to 10000K), ATW-PRO (2500K to 6000K)	
Lens type	CS MOUNT LENS	
Camera Features		
Day/Night	Yes	
Noise reduction	Yes (2D NR)	
Back light compensation	Yes (iBLC)	
Automatic tone reproduction	Yes (ATR-Lite)	
General		
Mass	255 g (9 oz)	
Dimensions	117.6 x 63.2 x 57.2 mm (4 3/4 x 2 1/2 x 2 3/8 inches)	
Power requirement	AC 24 V \pm 10 %, DC 12 V \pm 10 %	
Power consumption	1.6 W	
Operating temperature	-10 °C to +50 °C (14F° to 122F°)	
Storage temperature	-40 °C to +60 °C (-40F° to +140F°)	
Operating humidity	20 % to 80 %	
Storage humidity	20 % to 95 %	
Supplied accessories	Operating instructions x1, Lens mount cap x1	

* A lens is an optional.

DIMENSIONS

Unit: mm (inches)



Distributed by

© 2011 Sony Corporation. All rights reserved.
 Reproduction in whole or in part without written permission is prohibited.
 Features and specifications are subject to change without notice.
 The values for weight and dimension are approximate.
 "SONY", "make.believe", "Effio-E", and "EXview HAD CCD II" are
 trademarks of Sony Corporation.
 All other trademarks are the property of their respective owners.