

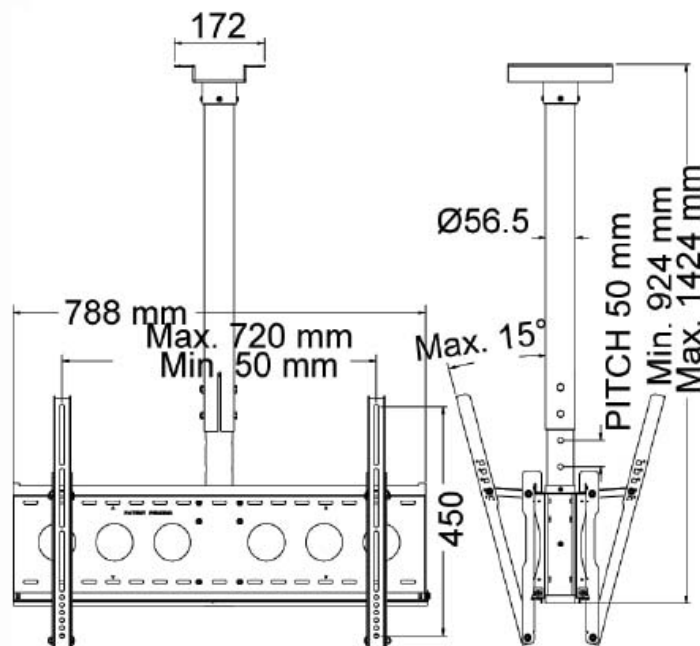


Model :HTDF6540/2

Issue Date: 30/11/2010

SPECIFICATIONS

Max. wall mount hole pitch	Max. Mount: 725x450mm
Screw Type	M4,M5,M6,M8
Material	Steel
Height Adjustable Range	924mm to 1,424mm in 50 mm increments
Weight	16.6kg (36.52 lbs)
Swivel	360°
Support max. weight	60kg(132lbs) - per side
Support flat panel size	32"~65"
Tilt angle	0°,5°,10°,13°,15°(5-step Fix Angle)
Safety Lock	Yes
Anti-Theft Lock	Yes



Ladders & Hardware Pte Ltd

1 Rochor Canal Road #02-37 Sim Lim Square Singapore 188504
 Tel: 63360404 Fax: 63380404 www.laddersandhardware.com
 Email: jjaying@singnet.com.sg | email@laddersandhardware.com