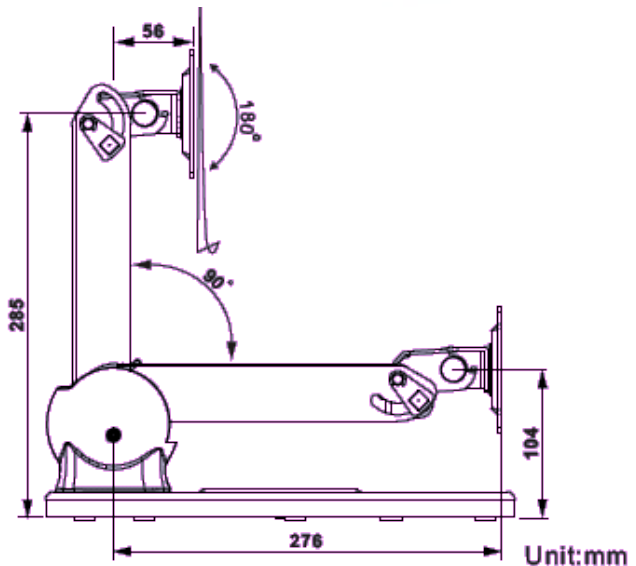
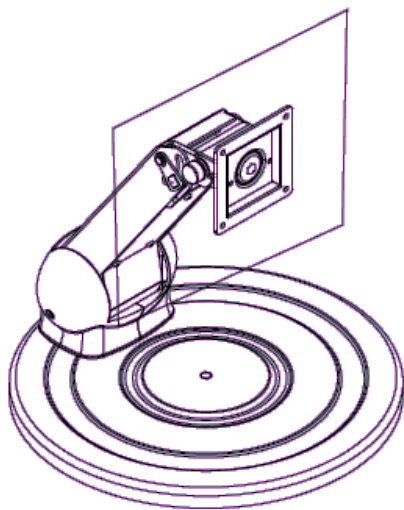


LCD MONITOR TABLE STAND ARM (A512)

- Easy to install; Workspace saver
- Superior flexibility & movement
- Adjustable arm
- 3-direction table stand
- 360° self-rotation
- 180° monitor swivel, up-down pivot
- 90° up-down vertical adjustment



CONFIGURATION	
SELF-ROTATION	360°
MONITOR SWIVEL	180°
UPWARDS-DOWNWARDS PIVOT	180°
UPWARDS-DOWNWARDS VERTICAL ADJUSTMENT	90°
ADJUSTABLE ARM	Yes
HORIZONTAL MOVING DISTANCE	18.3cm
VERTICAL MOVING DISTANCE	27.4cm
MAXIMUM LOAD WEIGHT	20KG
PHYSICAL	
MATERIAL	100% recycled iron material for strength and stability
WEIGHT	5.0 KG
STANDARDS	
CLASSIFICATION	Meets VESA standards (7.5x7.5cm and 10x10cm)

SOLE AGENT: