

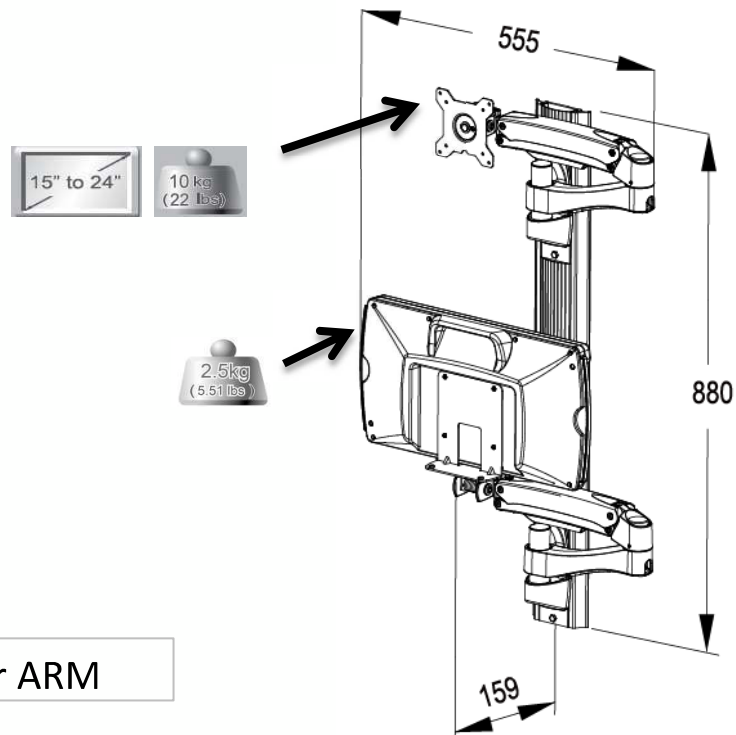


Model : W8822

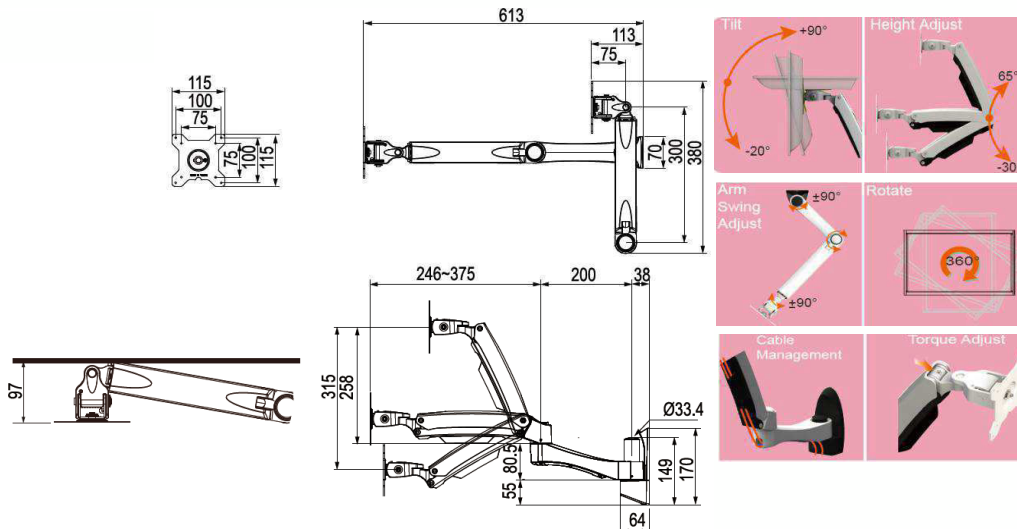
Issue Date: 07/09/2012 (B)

SPECIFICATIONS

Dimension(W*D*H)	880x581x159mm
Max. wall mount hole pitch	75*75 100*100
Screw Type	M4
Material	Steel/Aluminum alloy/Plastic
Weight	10.5kg



Monitor ARM



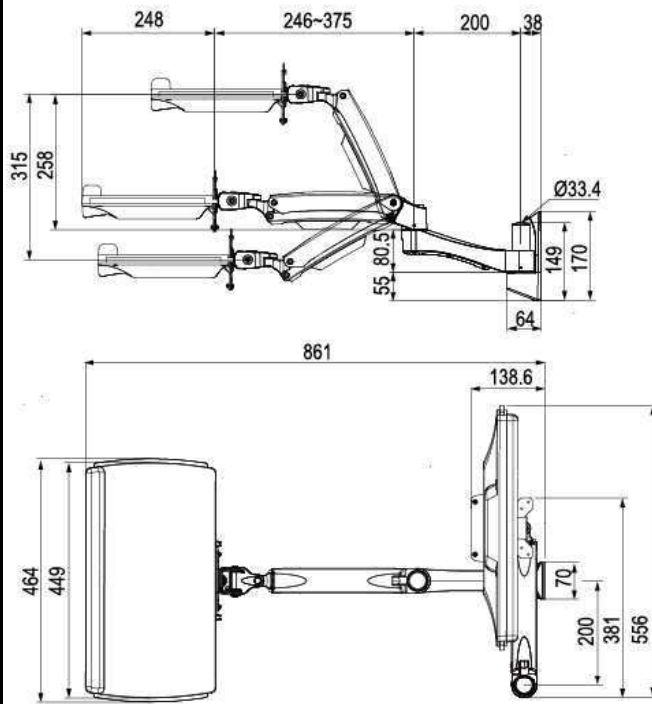


Model : W8822

Issue Date: 07/09/2012 (B)

SPECIFICATIONS

Keyboard



Keyboard Plate

