

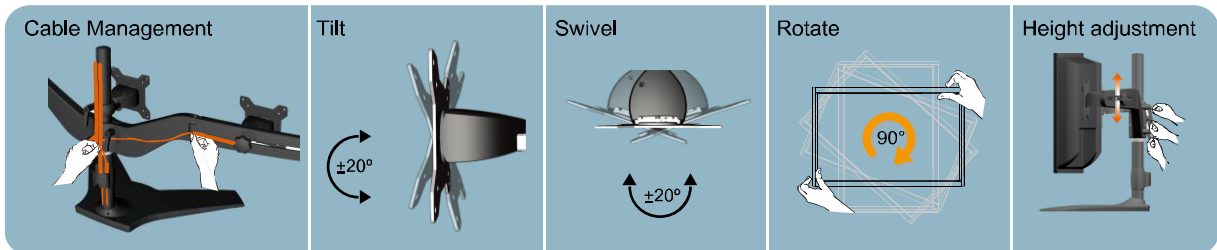
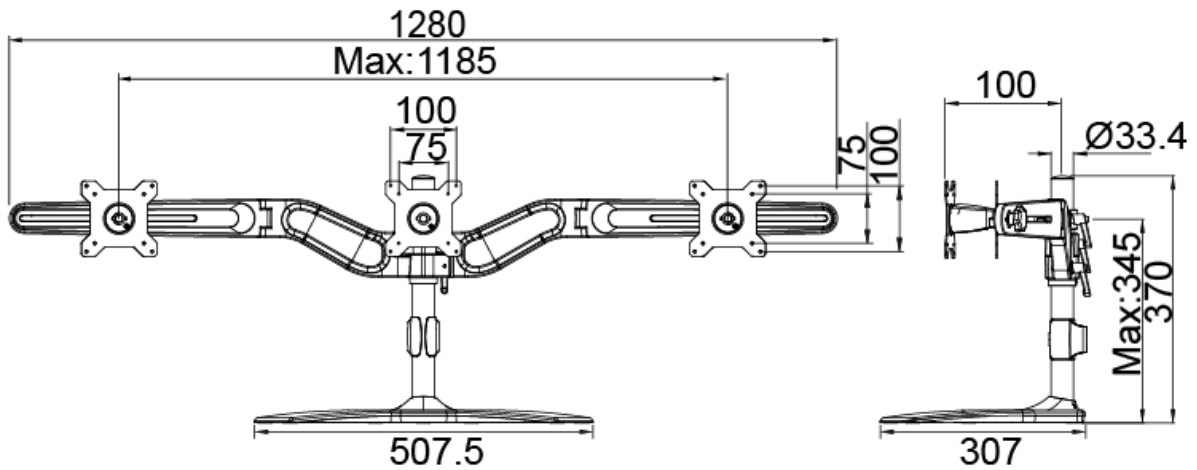


Model : TS743A

Issue Date: 24/10/2011

SPECIFICATIONS

Max. wall mount hole pitch	100x100mm/75x75mm
Screw Type	M4
Material	Steel/Aluminum Alloy
Dimension(W*D*H)	1280*370*307mm(50.39"x14.57"x12.09")
Weight	5.3 Kg (11.63 lbs)
Swivel	Max. +/- 20 ° (For each "Hinge")
Tilt	Max. +/- 20° (For each "Hinge")
Rotate(Pivot)	90° (For each "Hinge")
Support max. weight	8 Kg(17.64 lbs) (For each "Hinge")
Support flat panel size	15"~ 24"(For each "Hinge")



Ladders & Hardware Pte Ltd

1 Rochor Canal Road #02-37 Sim Lim Square Singapore 188504 Tel: 63360404 Fax: 63380404

Email: jiaying@singnet.com.sg www.laddersandhardware.com