

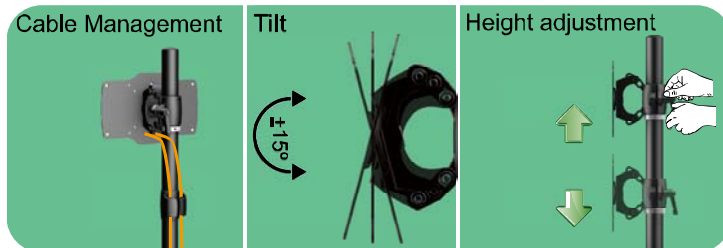
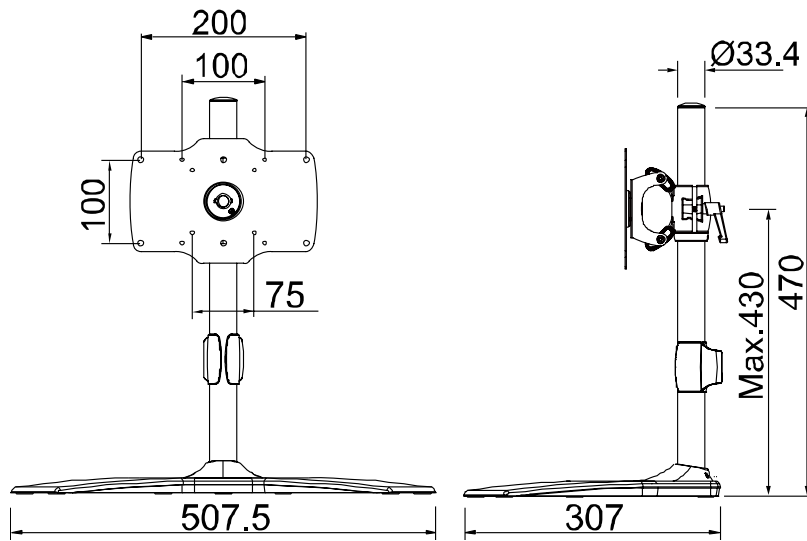


Model : TS021

Issue Date: 01/09/2011

SPECIFICATIONS

Max. wall mount hole pitch	200x100/100x100mm/75x75mm
Screw Type	M4, M6
Material	Steel/Aluminum Alloy
Dimension(W*D*H)	507.5*307*470 mm(19.98"x12.09"x18.50")
Weight	2.2 Kg (4.85 lbs)
Tilt	Max. +/- 15°
Rotate(Pivot)	90°
Support max. weight	15 Kg (33 lbs)
Support flat panel size	24"~ 32"



Ladders & Hardware Pte Ltd

1 Rochor Canal Road #02-37 Sim Lim Square Singapore 188504 Tel: 63360404 Fax: 63380404

Email: jjaying@singnet.com.sg www.laddersandhardware.com