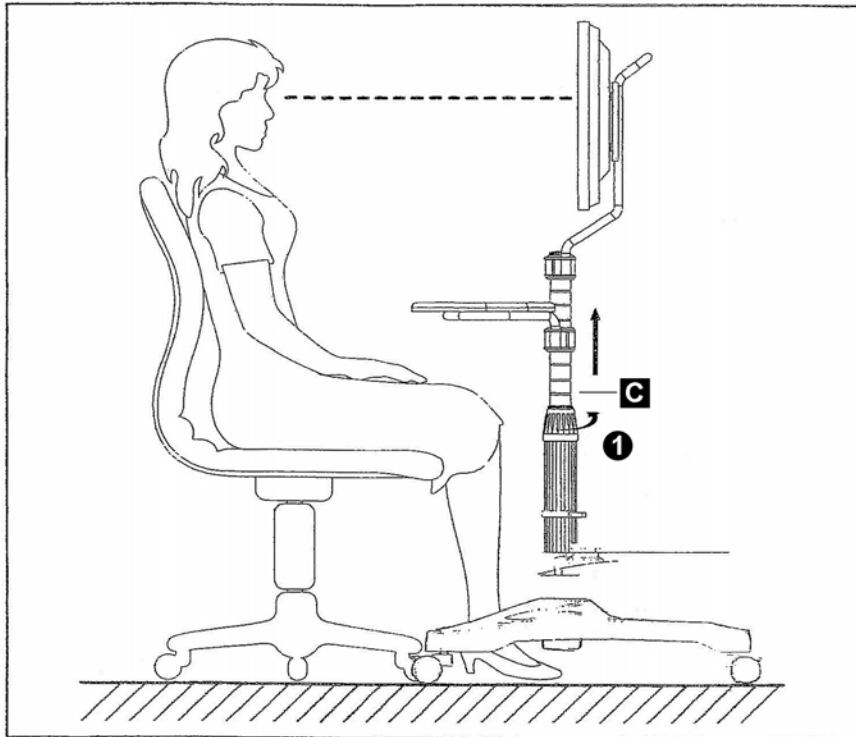
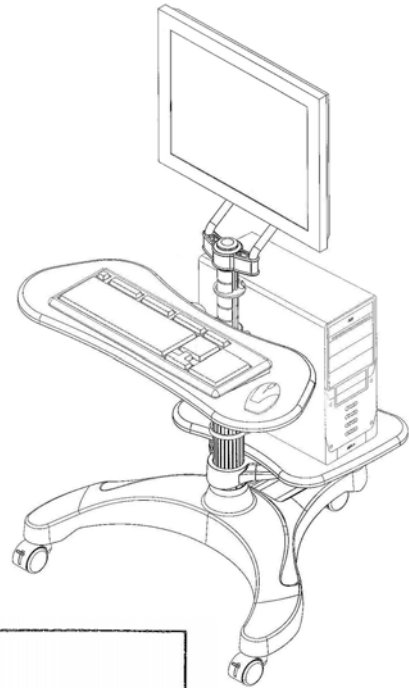
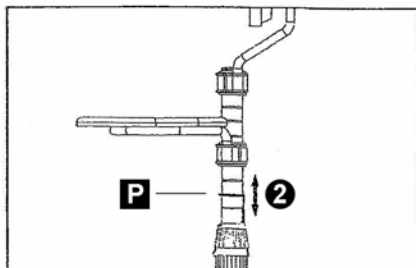


## COMPUTER MOVABLE STAND (A350)

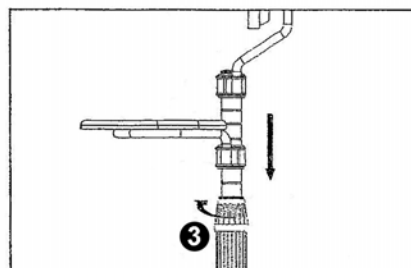
- Holds flat panels, keyboard, CPU, etc
- Workspace saver
- Height-adjustible
- Easy to relocate with fitted wheels
- Fast and easy to install



① Loosen the knob to raise the Post **C** for height adjustment

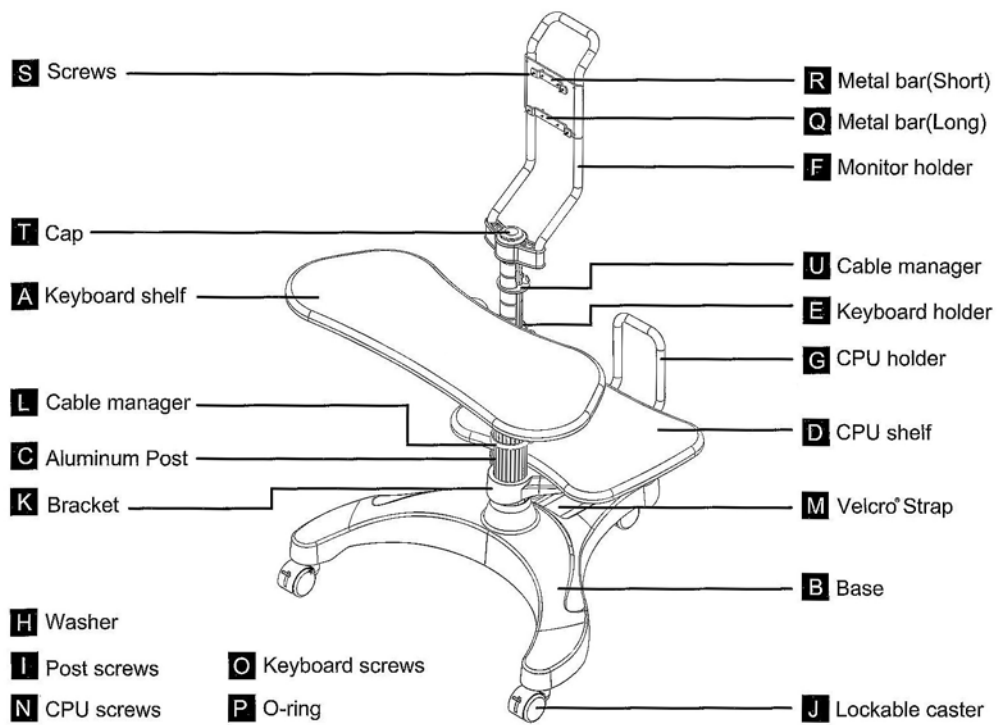


② Place the O-ring **P** to suitable fillister for height adjustment



③ Put the Post **C** down to fix the height of the Post, and tighten then knob again

SOLE AGENT:



SOLE AGENT: