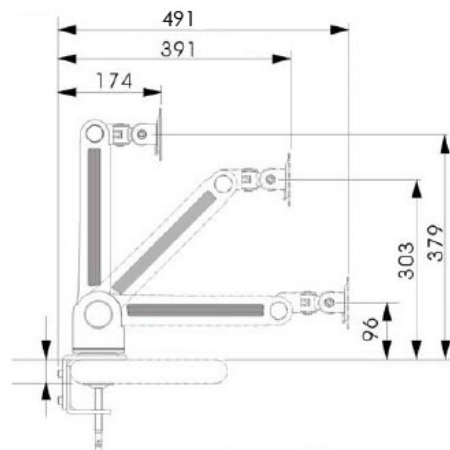


## LCD MONITOR DESK HOLE SWIVEL ARM (FC-A8888HP)

- Workspace saver
- Superior flexibility and movement
- Adjustable arm
- Easy to install
- Cables hidden in swivel arm
- 180° monitor swivel, up-down pivot



CONFIGURATION	
DESK MOUNT DIRECTIONS	5 directions
TABLE HOLE DIAMETER	2-10.2cm
DESK THICKNESS	Up to 5.5cm
MONITOR SWIVEL	180°
LEFT-RIGHT SWIVEL	180°
UPWARDS-DOWNWARDS PIVOT	180°
SIDE-TO-SIDE DISPLAY ROTATION	360°
ADJUSTABLE ARM	Yes
HORIZONTAL MOVING DISTANCE	49.1cm
VERTICAL MOVING DISTANCE	37.9cm
MAXIMUM LOAD WEIGHT	15KG
PHYSICAL	
MATERIAL	100% recycled iron material for strength and stability
WEIGHT	2.0 KG
STANDARDS	
CLASSIFICATION	Meets VESA standards (7.5x7.5cm and 10x10cm)



SOLE AGENT: