



Model : TC212

SPECIFICATIONS

Max. wall mount hole pitch	100x100mm/75x75mm
Screw Type	M4
Material	Steel/Aluminum Alloy
Dimension(W*D*H)	158*509.5*830 mm(6.22"x20.06"x32.68")
Weight	4.74 Kgs (10.43 lbs)
Swivel	Max. +/- 90° (For each "Hinge")
Tilt	Max. +/- 20° (For each "Hinge")
Rotate(Pivot)	90° (For each "Hinge")
Support max. weight	6 Kg (13.2 lbs) (For each "Hinge")
Support flat panel size	15"~ 24"

Swivel & Tilt



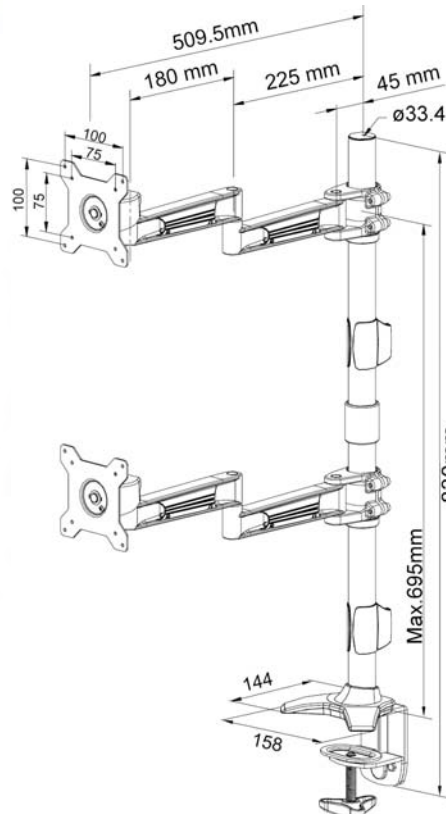
Torque Adjust



Rotate(Pivot)



Vertical Adjust



Available at: **Ladders & Hardware Pte Ltd / Jia Ying Trading Pte Ltd**
 1 Rochor Canal Road #02-34-37 Sim Lim Square Singapore 188504
 Tel: 63360404 Fax: 63380404 URL: laddersandhardware.com / jiaying.com
 Email: email@laddersandhardware.com / email@jiaying.com