

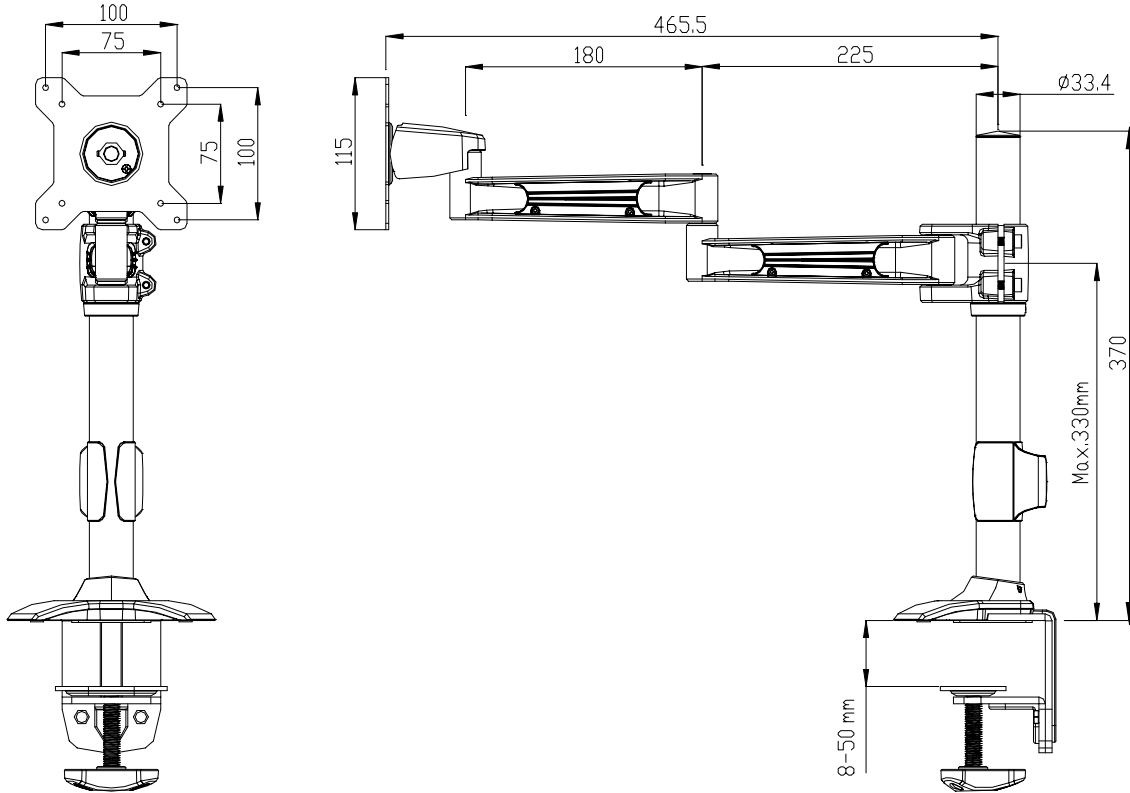


Model Name: TC210

Issue Date: 30/04/2009

SPECIFICATIONS

Max. wall mount hole pitch	100*100mm/75x*75mm.
Material	Steel/Aluminum
Dimension(W*D*H)	465.5*158*370 mm
weight	3.6Kg(7.93lbs)
Swivel	max. +/-20 degree
Tilt	max. +/-20 degree
Rotate(Pivot)	+/-90 degree
Support max. weight	12kg (26 lbs)
Support flat panel size	15"~ 24"
Adjustable Range	8~50mm
Estended Arm Provide	2



Available at: Ladders & Hardware Pte Ltd / Jia Ying Trading Pte Ltd

1 Rochor Canal Road #02-34-37 Sim Lim Square Singapore 188504

Tel: 63360404 Fax: 63380404 URL: laddersandhardware.com / jiaying.com

Email: email@laddersandhardware.com / email@jiaying.com

