

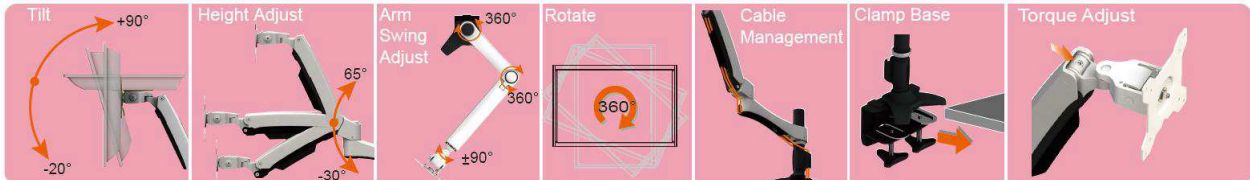
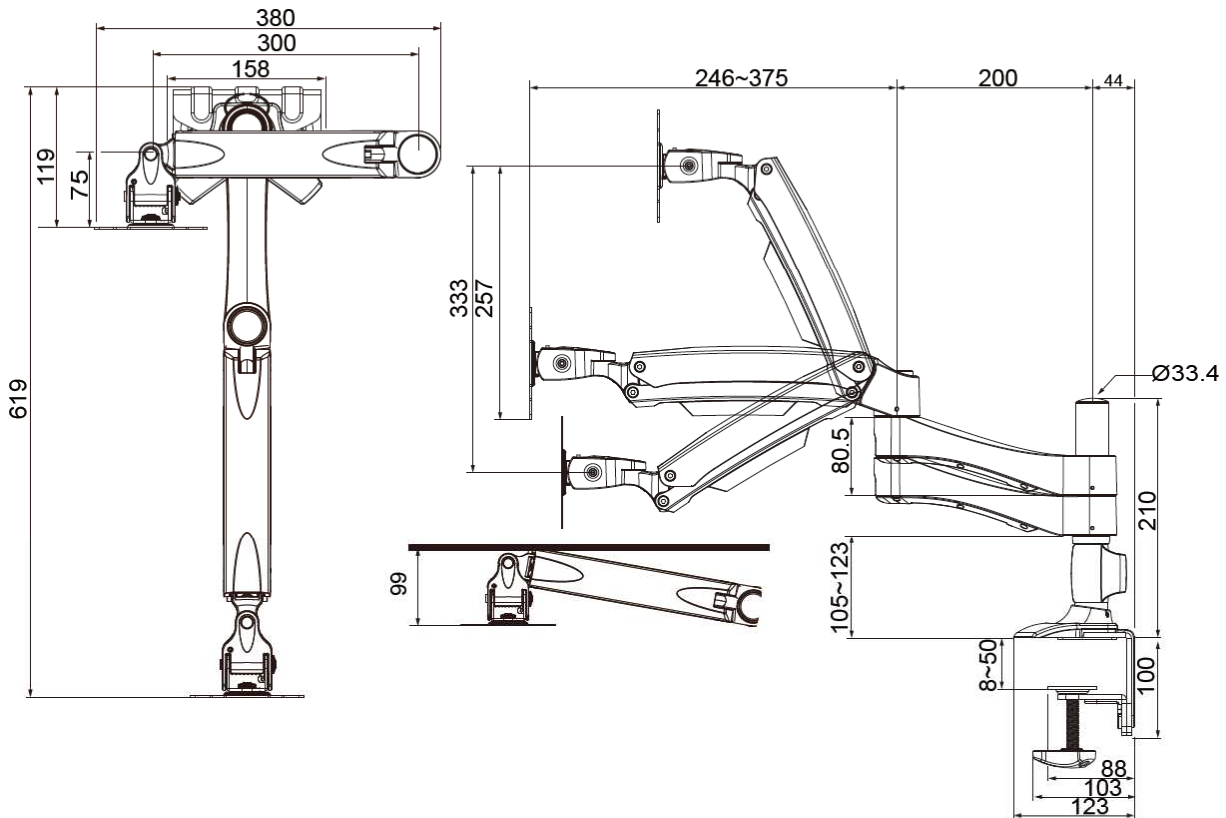


Model :ATC40

Issue Date: 29/05/2012 (B)

SPECIFICATIONS

Max. wall mount hole pitch	100x100 / 75x75 mm
Screw Type	M4
Material	Steel/Aluminum alloy/Plastic
Dimension(W*H*D)	1000*497*619 mm
Weight	6.9Kg (15.21lbs)
Swivel	+/-90°
Tilt	Max. +90° / -20°
Rotate(Pivot)	360°
Support max. weight	10Kg(22.04lbs)
Support flat panel size	15"~24"
Extended Arm Provided	4



Available at: Ladders & Hardware Pte Ltd / Jia Ying Trading Pte Ltd

1 Rochor Canal Road #02-34-37 Sim Lim Square Singapore 188504 Tel: 63360404 Fax: 63380404
 Website: laddersandhardware.com / jiaying.com Email: jiaying@singnet.com.sg | email@jiaying.com