



# TV brackets & mobile trolley stands

JIA YING TRADING PTE LTD  
www.jiaying.com

LADDERS & HARDWARE PTE LTD  
www.laddersandhardware.com

1 Rochor Canal Road, #02-37/ 67, Sim Lim Square, Singapore 188504  
Tel: (+65) 6336-0404 | jiaying@singnet.com.sg / email@jiaying.com

## Wall TV brackets



FC-A421

LED TV: 26-37" (70kg)  
200x100, 200x200mm



FC-A422

LED TV: 26-42" (80kg)  
200x200, 300x200mm  
400x100, 400x200mm



HTF2020

LED TV: 22-37" (60kg)  
100x100, 200x100mm  
200x200mm



FC-A660

LED TV: 32-70" (80kg)  
↔ 4-70cm  
↓ 6-50cm



FC-A650

LED TV: 32-70" (80kg)  
↔ 4-69cm  
↓ 6-50cm



FC-A630

LED TV: 38-60" (60kg)  
↔ 35-66cm  
↓ 20-40cm



FC-A875

LED TV: 21-37" (32kg)  
75x75, 100x100mm  
200x100, 200x200mm



AR212A

LED TV: 24-37" (25kg)  
75x75, 100x100mm  
200x100, 200x200mm



AE444

LED TV: 24-47" (35kg)  
400x400 (max)



HTAR240

LED TV: 26-65" (35kg)  
400x400 (max)



HTA4041 / HTA6041

LED TV: 32-60" / 32-70" (50kg)  
HTA4041 (max 60") : 400x400mm  
HTA6041 (max 70") : 660x400mm



FC-A771B

LED TV: 32-60" (70kg)  
↔ 4-69cm  
↓ 6-50cm

## Mobile trolley TV stands



TV trolley stand with  
wheels & 2 shelves  
(MDF or glass\*)

FC-A330 / FC-A330G\*

LED TV: 32-60" (80kg)  
↔ 10-70cm  
↓ 10-50cm



TV trolley stand with  
wheels & 1 MDF shelf

FC-A390

LED TV: 60-105" (100kg)  
↔ 40-80 cm  
↓ 20, 30, 40, 50cm

## Ceiling TV brackets



FC-8888SLS + FC-A421P

LED TV: 24-32" (32kg)  
200x100, 200x200mm  
Pole height: 0.5-1m



FC-8888SL + FC-A421P

LED TV: 24-32" (32kg)  
200x100, 200x200mm  
Pole height: 1-2m



HTDF2020

LED TV: 22-37" (60kg)  
100x100, 200x100, 200x200mm  
Pole height: 92-142cm



FC-A171

LED TV: 32-60" (60kg)  
↔ 4-69cm, ↓ 6-50cm  
Pole height: 1-2m



HTDF6540/1

LED TV: 32-65" (60kg)  
↔ 5-72cm, ↓ 45cm (max)  
Pole height: 92-142cm



HTDF6540/2 (2 TVs)

LED TV: 32-65" (60kg)  
↔ 5-72cm, ↓ 45cm (max)  
Pole height: 92-142cm



R1720

Extender pipe  
Extends HTDF models  
to 150-200cm

Table stand				Wall			Table C-clamp		
<b>HA741</b>	<b>TS-021<sup>1</sup></b>	<b>FC-A500T</b>	<b>FC-822</b>	<b>FC-8888SB</b>	<b>FC-8888S</b>	<b>FC-A800</b>	<b>FC-8888IP</b>	<b>TC210</b>	<b>FC-A851</b>
LED ≤ 27" (8kg)	LED ≤ 37" (15kg) VESA MIS-D, MIS-E	LED ≤ 27" (20kg)	LED ≤ 27" (2 x 10kg)	LED ≤ 27" (30kg)	LED ≤ 27" (15kg)	LED ≤ 27" (15kg)	LED ≤ 27" (10kg)	LED ≤ 27" (8kg)	LED ≤ 27" (8kg)
<b>TS-042<sup>1</sup></b>	<b>FC-862</b>	<b>TS-742E</b>	<b>TS-732<sup>1</sup></b>	<b>FC-A811</b>	<b>AR-210</b>	<b>FC-8888WP</b>	<b>HT-ATC20</b>	<b>TC212</b>	<b>FC-A820</b>
LED ≤ 24-32" (2 x 12kg) VESA MIS-D, MIS-E	LED ≤ 24" (2 x 10kg)	LED ≤ 24" (2 x 12kg)	LED ≤ 24-32" (2 x 15kg) VESA MIS-D, MIS-E	LED ≤ 27" (15kg)	LED ≤ 27" (10kg)	LED ≤ 27" (10kg)	LED ≤ 27" (10kg)	LED ≤ 27" (2 x 6kg)	LED ≤ 27" (2 x 10kg)
<b>TS-743A</b>	<b>TS-744</b>	<b>TS-734<sup>1</sup></b>	<b>TS-746A</b>	<b>ATW20</b>	<b>ATW40</b>	<b>ORW10</b>	<b>HT-ATC40</b>	<b>FC-A840</b>	
LED ≤ 24" (3 x 8kg)	LED ≤ 24" (4 x 8kg)	LED ≤ 24-32" (4 x 12kg) VESA MIS-D, MIS-E	LED ≤ 24" (6 x 8kg)	LED ≤ 27" (10kg)	LED ≤ 27" (2 x 10kg)	See <b>'Sit-stand workstation'</b> next page for details	LED ≤ 27" (2 x 10kg)	LED ≤ 27" (4 x 10kg)	

- All LED/ LCD computer monitor brackets are compliant to VESA MIS-D (75x75, 100x100mm) mounting hole patterns unless specified otherwise.
- <sup>1</sup> Selected table stand models are compliant to VESA MIS-D (75x75, 100x100mm) and VESA MIS-E (200x100mm) mounting hole patterns, supporting up to 32" monitors.
- Models and prices are subject to change without prior notice. Information is accurate as at 25-12-2015.




# LED computer monitor brackets

**JIA YING TRADING PTE LTD**  
www.jiaying.com

**LADDERS & HARDWARE PTE LTD**  
www.laddersandhardware.com

1 Rochor Canal Road, #02-37/ 67, Sim Lim Square, Singapore 188504  
Tel: (+65) 6336-0404 | jiaying@singnet.com.sg / email@jiaying.com



## Desk hole

					
<b>FC-8888HP</b>	<b>TI012</b>	<b>TI212</b>	<b>ATI40</b>	<b>TI744</b>	<b>TI746A</b>
LED ≤ 27" (10kg)	LED ≤ 27" (2 x 8kg)	LED ≤ 27" (2 x 6kg)	LED ≤ 27" (2 x 10kg)	LED ≤ 24" (4 x 8kg)	LED ≤ 24" (6 x 6kg)

## Partition


<b>FC-8888SP / SH</b>
LED ≤ 27" (15kg)


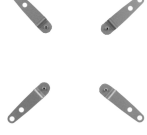
## Ceiling

	
<b>FC-8888SLS (0.5-1m)</b>	<b>FC-8888SL (1-2m)</b>
LED ≤ 27" (15kg)	LED ≤ 27" (15kg)

## Pole

		
<b>FC-8888SD</b>	<b>FC-8888PP</b>	<b>FC-8888DP</b>
LED ≤ 27" (15kg)	LED ≤ 27" (10kg)	LED ≤ 27" (10kg)


## Bracket adaptors (VESA)

	
<b>AOA22</b>	<b>AOA23</b>
Converts hole pitch from 200x100mm to 200x200mm	Converts hole pitch from 100x100 to 200x100 & 200x200mm

## Mobile trolley workstations

<p><b>FC-300</b></p> <p><b>Vertical computer stand with configurable accessories</b> Option to customize your stand (max weight 100kg):</p> <p><b>MR</b> - Pole &amp; base      <b>MK</b> - Keyboard arm  <b>MC</b> - CPU holder      <b>MT</b> - Printer platform  <b>MS</b> - LED panel arm    <b>MN</b> - Speaker platform  LED size: ≤ 27"      <b>ML</b> - Power strip</p> 	<p><b>CN-H01</b></p> <p><b>Hospital / medical care mobile rack</b></p> <p>LED size: ≤ 27" (8kg) Keyboard tray: 7.5kg max</p> 
---	--

## Sit-stand workstation

<p><b>ORW10</b></p> <p><b>Wall-mounted sit-stand workstation</b></p> <p>LED ≤ 27" (8kg max) Foldable keyboard tray: 2.5kg max Height-adjustable monitor 360° monitor rotation, 90° swivel</p> 
---

- All LED/ LCD computer monitor brackets are compliant to VESA MIS-D (75x75, 100x100mm) mounting hole patterns unless specified otherwise.
- <sup>1</sup> Selected table stand models are compliant to VESA MIS-D (75x75, 100x100mm) and VESA MIS-E (200x100mm) mounting hole patterns, supporting up to 32" monitors.
- Models and prices are subject to change without prior notice. Information is accurate as at 25-12-2015.

